






# SPECIFICATIONS

**CUSTOMER** : \_\_\_\_\_  
**MODEL NO.** : **GFE320240DL-BNFE01**  
**VERSION** : **B**  
**DATE** : **2022.12.07**  
**CERTIFICATION** : **ROHS**

Customer Sign	Approved By	Prepared By	Prepared By
			

晶發科技股份有限公司  
GI FAR TECHNOLOGY CO.,LTD.

新北市樹林區東豐街 81 號

No. 81, Dongfeng St, Shulin District, 238034, New Taipei City, Taiwan, R.O.C.

TEL: +886-2-8684-1188 FAX: +886-2-8684-8532



## Revision Record

Data(y/m/d)	Ver.	Description	page
2021.03.30	01	preliminary	
2021.04.07	02	更新背光亮度為 min 800 cd/m <sup>2</sup>	9
2021.04.26	03	更新 CN1 為 Zif connector 1.0pitch	16
2021.05.03	04	更新 pin 定義: pin6 FRAME →FLM , pin8 LOAD→LP	12、16
2021.05.06	05	Add Reliability Test item , Vibration test & Drop test	14
2021.05.13	06	1. 2.2 加入 DC 特性欄位(DC-DC output) 2. 2.7.1 更新 If Max. 260 to 300 mA	5、9
2021.05.27	07	修正 3.1:將 25 度電壓值修改為 23.9-24.4-24.9 , 其餘-20 度與 70 度電壓值先標示 TBD。	10
2021.06.07	08	修正 3.1 LCD Driving Voltage Recommended: TA=-20°C,Min26.5,Typ27,Max27.5 TA=70°C,Min21.4,Typ21.9,Max22.4	10
2021.09.17	09	UV 膠(MAX2.5mm , 線材長度改 120mm , 線材焊點高度 Max1.5mm , 電源線以紙膠帶固定於模組背面 , 加入包裝方式	16、17
2021.10.07	10	2.7.2 加上 BL 控制參數(如附表) , 加入 2.7.3 Schematics Related , 修改 LCM 圖面標示(背面零件高度上限 3.5) , 其餘產品特性無變更	9、16
2022.01.19	A	1. Add module Weight. 2. Update label description.	4、18
2022.12.07	B	更新公司抬頭認證圖示	



## CONTENTS

1. GENERAL SPECIFICATIONS	-----	4
2. ELECTRICAL SPECIFICATIONS	-----	5
3. OPTICAL SPECIFICATIONS	-----	10
4. I/O TERMINAL	-----	12
5. RELIABILITY	-----	14
6. NOTE	-----	15
7. OPERATION PRECAUTIONS	-----	15
8. DIMENSIONAL OUTLINES	-----	16
9. PACKAGE INFORMATION	-----	17
10. LOT NO. LABEL	-----	18
Appendix : Inspection Standard		



## 1. General Specifications

Operating Temperature	:	Min. -20°C ~ Max. 70°C
Storage Temperature	:	Min. -30°C ~ Max. 80°C
Dot Pixels	:	320 (W) x 240 (H) dots
Dot Size	:	0.33 (W) x 0.33 (H) mm
Dot Space	:	0.03 (W) x 0.03 (H) mm
Viewing Area	:	122.0 (W) x 92.0 (H) mm
Display Area	:	115.17(W)x 86.37(H) mm
Outline Dimensions	:	160* (W) x 109** (H) x 11 max.*** (D) mm
		** With LED Cable
Weight	:	180g/pc
LCD Type	:	STN/ Negative, Blue mode/ Transmissive
Viewing Direction	:	6 O'clock
Data Transfer	:	4-bit parallel data transfer
IC	:	SDN8080G or Compatible
Backlight	:	White LED B/L
Remark	:	With Zif Connector 1*14pin (pitch 1.0)



## 2. Electrical Specifications

### 2.1 Absolute Maximum Ratings

V<sub>SS</sub> = 0V

Parameter	Symbol	Conditions	Min.	Max.	Units
Supply Voltage (Logic)	V <sub>DD</sub> - V <sub>SS</sub>	--	- 0.3	+7	V
Supply Voltage (LCD Drive)	V <sub>LCD</sub> - V <sub>SS</sub>	--	0	+30	V
Input Voltage	V <sub>I</sub>	--	- 0.3	V <sub>DD</sub> + 0.3	V

### 2.2 DC Characteristics

T<sub>a</sub> = 25°C, V<sub>SS</sub> = 0V

Parameter	Symbol	Conditions	Min.	Typ.	Max.	Units
Supply Voltage (Logic)	V <sub>DD</sub> - V <sub>SS</sub>	--	4.5	5.0	5.5	V
Supply Voltage (LCD Drive)	V <sub>DD</sub> - V <sub>EE</sub>	--	6	--	28	V
	V <sub>DD</sub> - V <sub>O</sub>	Shown in 3.1				V
High Level (Input Voltage)	V <sub>IH</sub>	--	0.8xV <sub>DD</sub>	--	V <sub>DD</sub>	V
Low Level (Input Voltage)	V <sub>IL</sub>	--	V <sub>SS</sub>	--	0.2xV <sub>DD</sub>	V
High Level (Output Voltage)	V <sub>OH</sub>	I <sub>OH</sub> = -0.5mA	2.4	--	--	V
Supply Current	I <sub>DD</sub>	V <sub>DD</sub> = 5.0V	--	20	30	mA
	I <sub>EE</sub>	V <sub>DD</sub> = 5.0V	--	3.0	5.0	mA
Frame	f <sub>F</sub>	Duty = 50%	--	70	--	Hz
DC-DC output	V <sub>SS</sub> -V <sub>EE</sub>	--	22.8	24	25.2	V

### 2.3 AC Characteristics

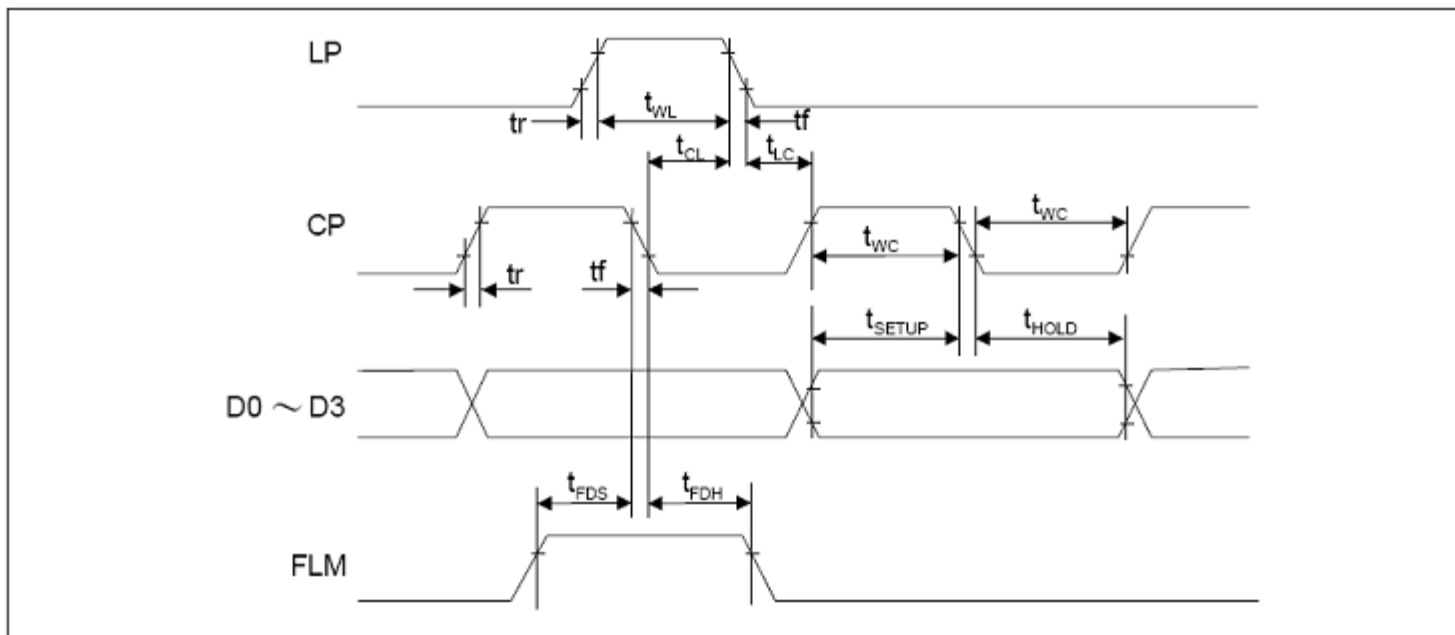
V<sub>DD</sub> = 5.0V±10%

Parameter	Symbol	Min.	Max.	Units
CP Pulse Time	f <sub>CP</sub>	--	6.0	MHz
Clock Pulse Width	t <sub>WC</sub>	50	--	ns
Load Pulse Width	t <sub>WL</sub>	63	--	ns
Data Setup Time	t <sub>SEPUP</sub>	30	--	ns
Data Hold Time	t <sub>HOLD</sub>	30	--	ns
Clock Pulse Setup Time	t <sub>CL</sub>	80	--	ns
Clock Pulse Hold Time	t <sub>LC</sub>	110	--	ns
Rise/Fall Time	t <sub>r</sub> , t <sub>f</sub>	--	Note1	ns
FLM Setup Time	t <sub>FDS</sub>	100	50	ns
FLM Hold Time	t <sub>FDH</sub>	100	--	ns

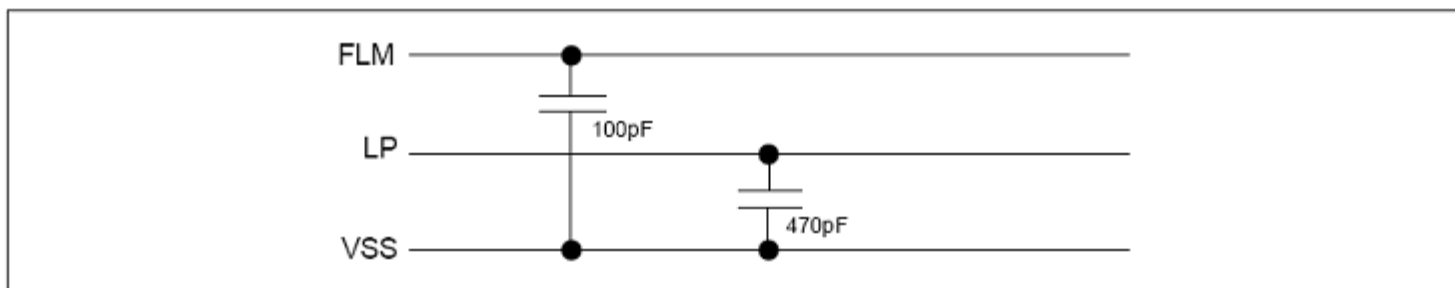
Note1: The rise and fall times (t<sub>r</sub>, t<sub>f</sub>) must satisfy the following relationship (a. and b.).

$$a. \quad t_r, t_f < \frac{1}{2f_{cp}} - t_{wc}$$

$$b. \quad t_r, t_f < 50ns$$

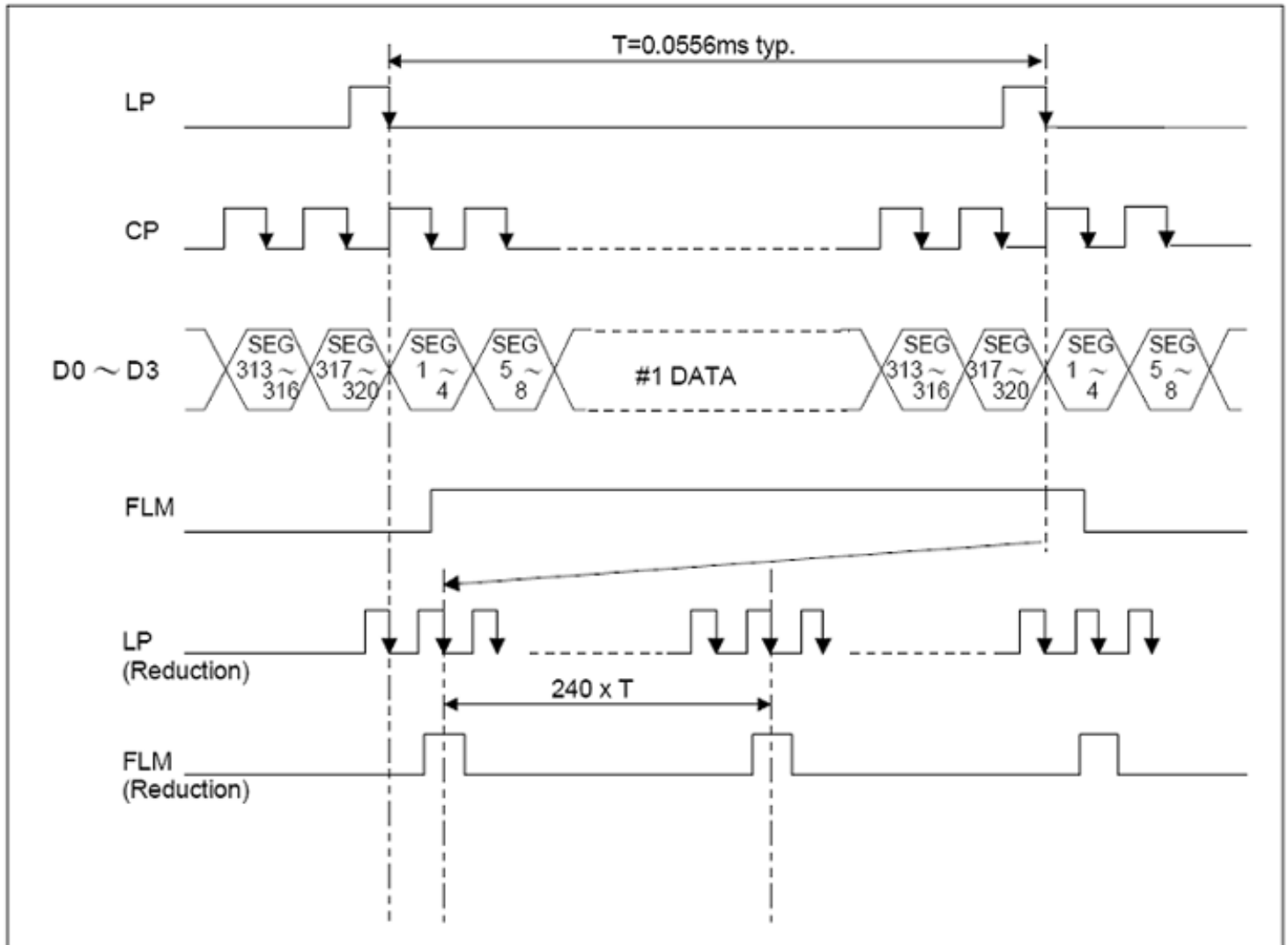


This module contains these capacitors. Please be careful about timing characteristics.

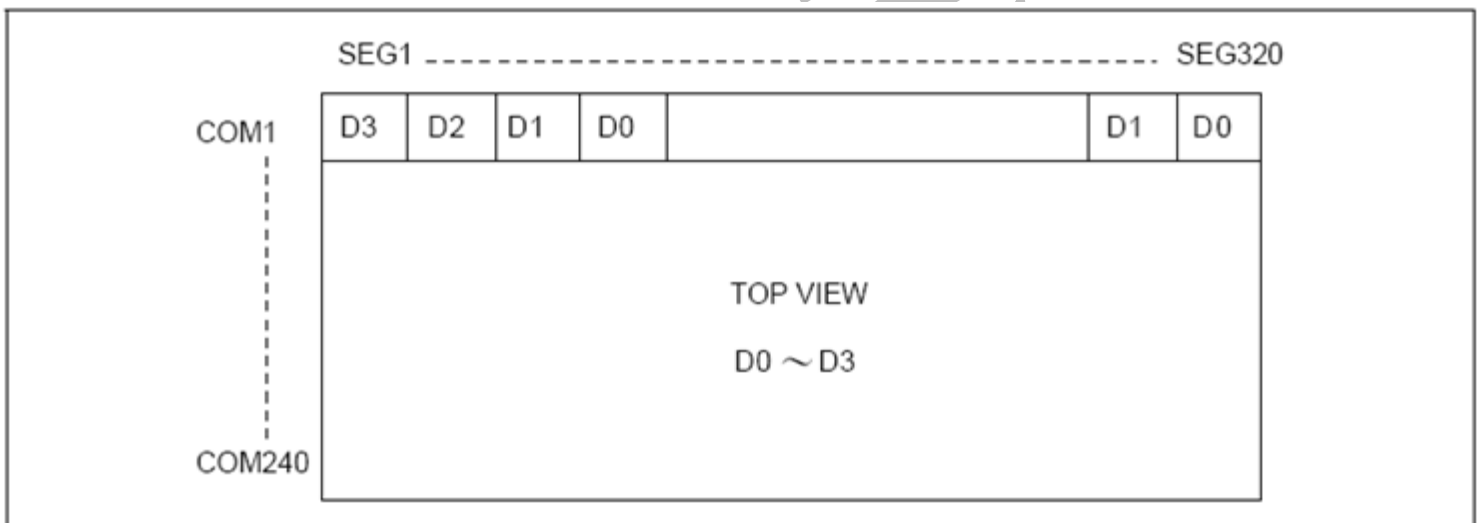




## 2.4 Timing Chart



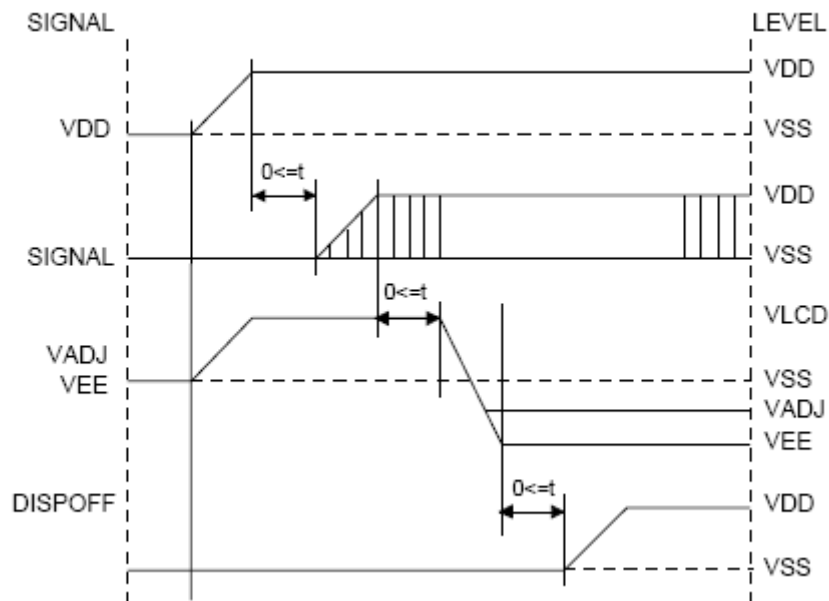
## 2.5 Comparison of Display and Data



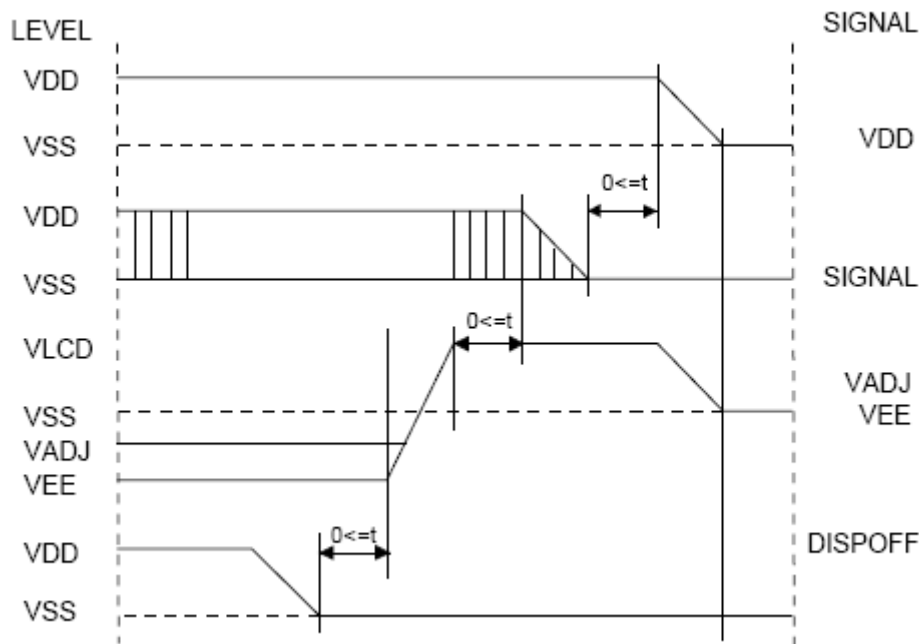


## 2.6 Power Supply ON/OFF Sequence

### 2.6.1 ON Sequence



### 2.6.2 OFF Sequence



Please maintain the above sequence when turning on and off the power supply of the module. If DISPOFF is supplied to the module while internal alternate signal for LCD driving (M) is unstable, DC component will be supplied to the LCD panel. This may cause damage to the LCD module.





## 2.7 Spec. for LED back-light

### 2.7.1 Absolute Maximum Ratings

Parameter	Symbol	Conditions	Max	Units
Forward Current	$I_F$	--	300	mA
Reverse Voltage	$V_R$	--	5.0	V
LED Power Dissipation	$P_D$	--	1105	mW
Operation Temperature	$T_{OPR}$		-20 to 70	°C
Storage Temperature	$T_{STG}$		-30 to 80	°C

### 2.7.2 Operating Characteristics

$T_a = 25^\circ\text{C}$

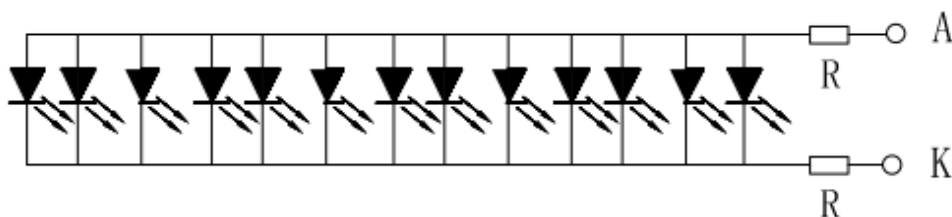
Parameter	Symbol	Conditions	Min	Typ.	Max	Units
Forward Voltage*	$V_F$	$I_F=260\text{mA}$	2.9	3.2	3.5	V
Reverse Current	$I_R$	$V_R=5.0\text{V}$	--	--	0.3	mA
Luminance of Backlight Surface	$L$		800	--	--	cd/m <sup>2</sup>
Uniformity**		$I_F=260\text{mA}$	70	--	--	%
AVG. x of 1931 C.I.E.	X		0.26	0.30	0.33	--
	Y		0.25	0.28	0.31	--
B/L Input Voltage	LEDA-LEDK	$I_F=260\text{mA}$	4.8	5.0	6.3	V

\*Measured between A,K (see the figure below)

\*\*Uniformity = (Min./Max.) x 100%

### 2.7.3 Schematics Related

Circuit Diagram (LED 1\*13=13 SMD) Color: WHITE





### 3. Optical Specifications

#### 3.1 LCD Driving Voltage Recommended

Parameter	Symbol	Conditions	Min.	Typ.	Max.	Units
LCD Driving Voltage (Note 1)	V <sub>DD-V<sub>O</sub></sub>	Ta = -20 °C	26.5	27	27.5	V
		Ta = 25 °C	23.9	24.4	24.9	V
		Ta = 70 °C	21.4	21.9	22.4	V

Note 1 : Voltage (Applied actual waveform to LCD panel) for the best contrast. The range of minimum and maximum shows tolerance of the operating voltage. The specified contrast ratio and response time are not guaranteed over the entire range.

#### 3.2 Optical Characteristics Ta=25 °C, 1/240 Duty, 1/13 Bias, V<sub>DD</sub> = 5.0V (Note 4)

Parameter	Symbol	Conditions	Min.	Typ.	Max.	Units
Contrast Ratio (Note 1)	CR	Ta=25 °C	4	5.5	8	--
Viewing Angle (Shown in 3.3)	F-R	θ Ta=25 °C	--	65	--	deg.
	R-L	φ Ta=25 °C	--	-30 +30	--	deg.
Response Time	Rise (Note 2)	T <sub>ON</sub> Ta = 25 °C	100	120	180	msec
	Fall (Note 3)	T <sub>OFF</sub> Ta = 25 °C	110	140	210	msec

Note 1 : Contrast ratio is defined as follows.

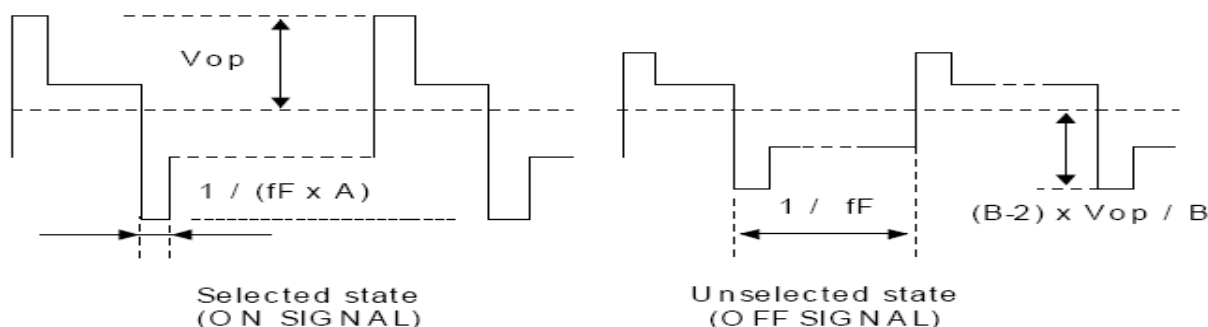
$$CR = LOFF / LON$$

LON : Luminance of the ON segments, LOFF : Luminance of the OFF segments

Note 2 : The time that the luminance level reaches 90% of the saturation level from 0% when ON signal is applied.

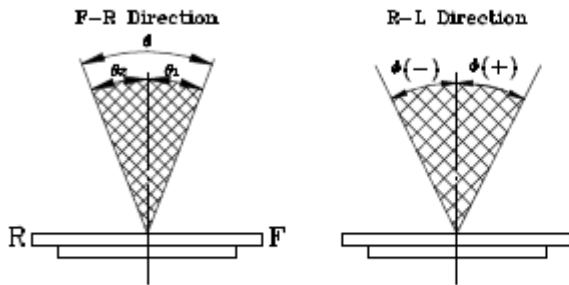
Note 3 : The time that the luminance level reaches 10% of the saturation level from 100% when OFF signal is applied.

Note 4 : Definition of Driving Voltage VD. Assuming that the typical driving waveforms shown below are applied to the LCD Panel at /A Duty - 1/B Bias ( A : Duty Number, B : Bias Number ). Driving voltage VD is defined s follows:  $VD = (V_{th1} + V_{th2}) / 2$  Vth1 : The voltage VO-P that should provide 50% of the saturation level in the luminance at the segment which the ON signal is applied to. Vth2 : The voltage VO-P that should provide 50% of the saturation level in the luminance at the segment which the OFF signal is applied to.





### 3.3 Definition of Viewing Angle

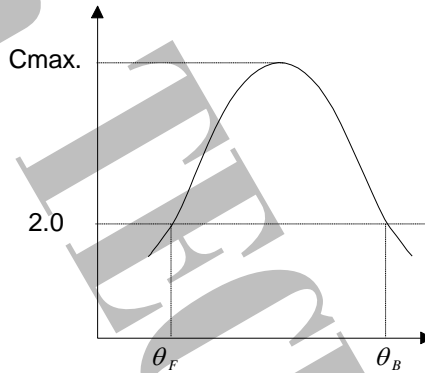


**\*Conditions**

Operating Voltage :  $V_{op}$   
 Frame Frequency : 70Hz  
 Applying Waveform : 1/N duty 1/a bias  
 Contrast Ratio : larger than 2

$$\theta = \theta_1 + \theta_2$$

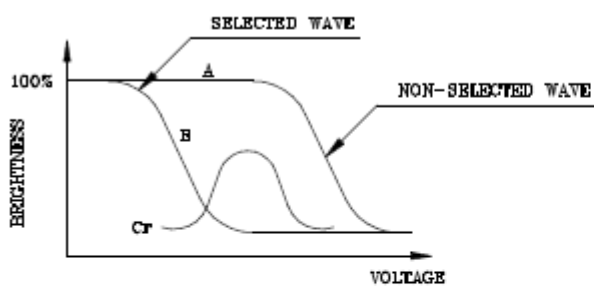
### 3.4 Definition of Viewing Angle $\theta_F$ and $\theta_B$



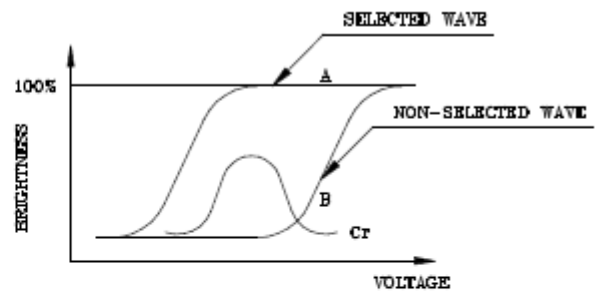
Viewing angles  $\theta$  ( $\phi$  fixed)

Optimum viewing angle with the naked eye and viewing angle  $\theta$  at  $C_{max}$ .  
 Above are not always the same.

### 3.5 Definition of Contrast Ratio(Cr)



(positive type)



(negative type)

$$\text{Contrast Ratio} : Cr = A/B$$

**\*Conditions**

Operating Voltage :  $V_{op}$   
 Temperature : 25°C  
 Viewing Angle ( $\theta \cdot \phi$ ) : (0,0)  
 Frame Frequency : 70Hz  
 Applying Waveform : 1/N duty 1/a bias



## 4. I/O Terminal

### 4.1 Pin Assignment

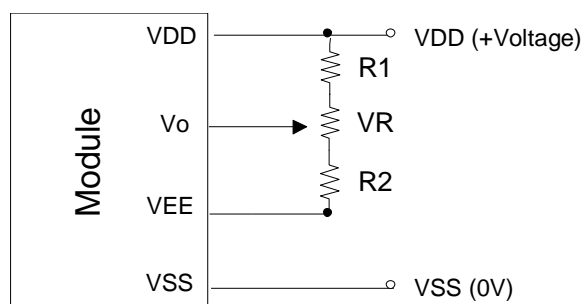
Pin No.	Symbol	I/O	Function
1	D0	I	Display data Signal
2	D1	I	Display data Signal
3	D2	I	Display data Signal
4	D3	I	Display data Signal
5	/DISPOFF	I	Display OFF (/DISPOFF=Low), Display ON (/DISPOFF=Hight)
6	FLM	I	Scan start plus
7	NC	--	--
8	LP	I	Latch plus
9	CP	I	Data input clock signal
10	VDD	I	Voltage for logic (+5V)
11	VSS	I	Signal ground (0V)
12	VEE	O	Power supply for LCD
13	V0	I	LCD contrast adjust voltage
14	FGND	--	FRAME Ground

### LED B/L

Pin No.	Symbol	I/O	Function
1.	LEDA	I	Power Supply for LED Backlight Anode (+5V)
2.	N/C	--	No-connection
3.	N/C	--	No-connection
4.	LEDK	I	LED Backlight Power Supply Cathode (-)

### 4.2 Example of Power Supply

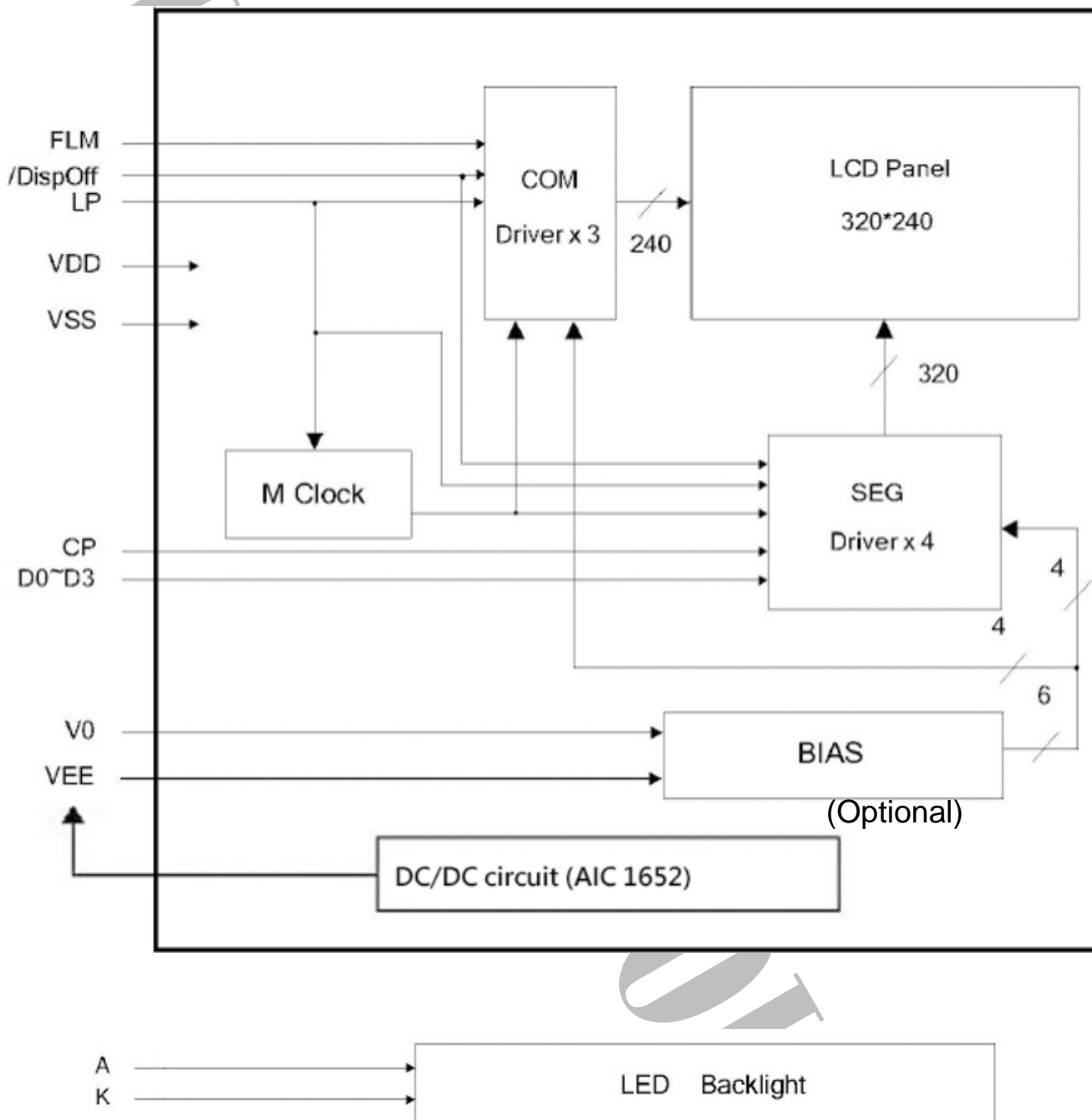
It is recommended to apply a potentiometer for the contrast adjust due to the tolerance of the driving voltage and its temperature dependence.



$$R1+R2+VR=10 \sim 20K\Omega$$



### 4.3 Block Diagram





## 5. Reliability

NO.	ITEM	CONDITION		STANDARD	NOTE
1	High Temp. Storage	80°C	120 hrs	Appearance Without defect	
2	Low Temp. Storage	-30°C	120 hrs	Appearance Without defect	
3	High Temp. & High Humi. Storage	40°C 90% RH	120 hrs	Appearance Without defect	
4	High Temp. Operating Display	70°C	120 hrs	Appearance Without defect	
5	Low Temp. Operating Display	-20°C	120 hrs	Appearance Without defect	
6	Thermal Shock	-20°C, 30min. → 70°C, 30min. 		Appearance Without defect	10 cycles
7.	Vibration Test	Total fixed amplitude: 1.5mm Vibration frequency: 10~55Hz One cycle 60 seconds to 3 directions of X, Y, Z for each 15 minutes			
8.	Drop Test	To be measured after dropping from 60cm high on the concrete surface in packing state. <p><i>Dropping method corner dropping</i> A corner: once</p> <p><i>Edge dropping</i> B, C, D edge: once</p> <p><i>Face dropping</i> E, F, G face: once</p>			

\*\* Dissipation current, contrast and display functions

\*\* Polarizing filter deterioration, other appearance defects

\*\* The function test shall be conducted after 4hours storage at the normal temperature and humidity after remove from the test chamber.





## 6. NOTE

### Safety

- If the LCD panel breaks, be careful not to get the liquid crystal in your mouth. If the liquid crystal touches your skin or clothes, wash it off immediately using soap and plenty of water.

### Handling

- Avoid static electricity as this can damage the CMOS LSI.
- The LCD panel is plate glass; do not hit or crush it.
- Do not remove the panel or frame from the module.
- The polarizing plate of the display is very fragile; handle it very carefully

### Mounting and Design

- Mount the module by using the specified mounting part and holes.
- To protect the module from external pressure, leave a small gap by placing transparent plates (e.g. acrylic or glass ) on the display surface, frame, and polarizing plate
- Design the system so that no input signal is given unless the power-supply voltage is applied.
- Keep the module dry. Avoid condensation, otherwise the transparent electrodes may break.

### Storage

- Store the module in a dark place where the temperature is  $25^{\circ}\text{C} \pm 10^{\circ}\text{C}$  and the humidity below 65% RH.
- Do not store the module near organic solvents or corrosive gases.
- Do not crush, shake, or jolt the module (including accessories).

### Cleaning

- Do not wipe the polarizing plate with a dry cloth, as it may scratch the surface.
- Wipe the module gently with soft cloth soaked with a petroleum benzine.
- Do not use ketonic solvents (ketone and acetone) or aromatic solvents (toluene and xylene), as they may damage the polarizing plate.

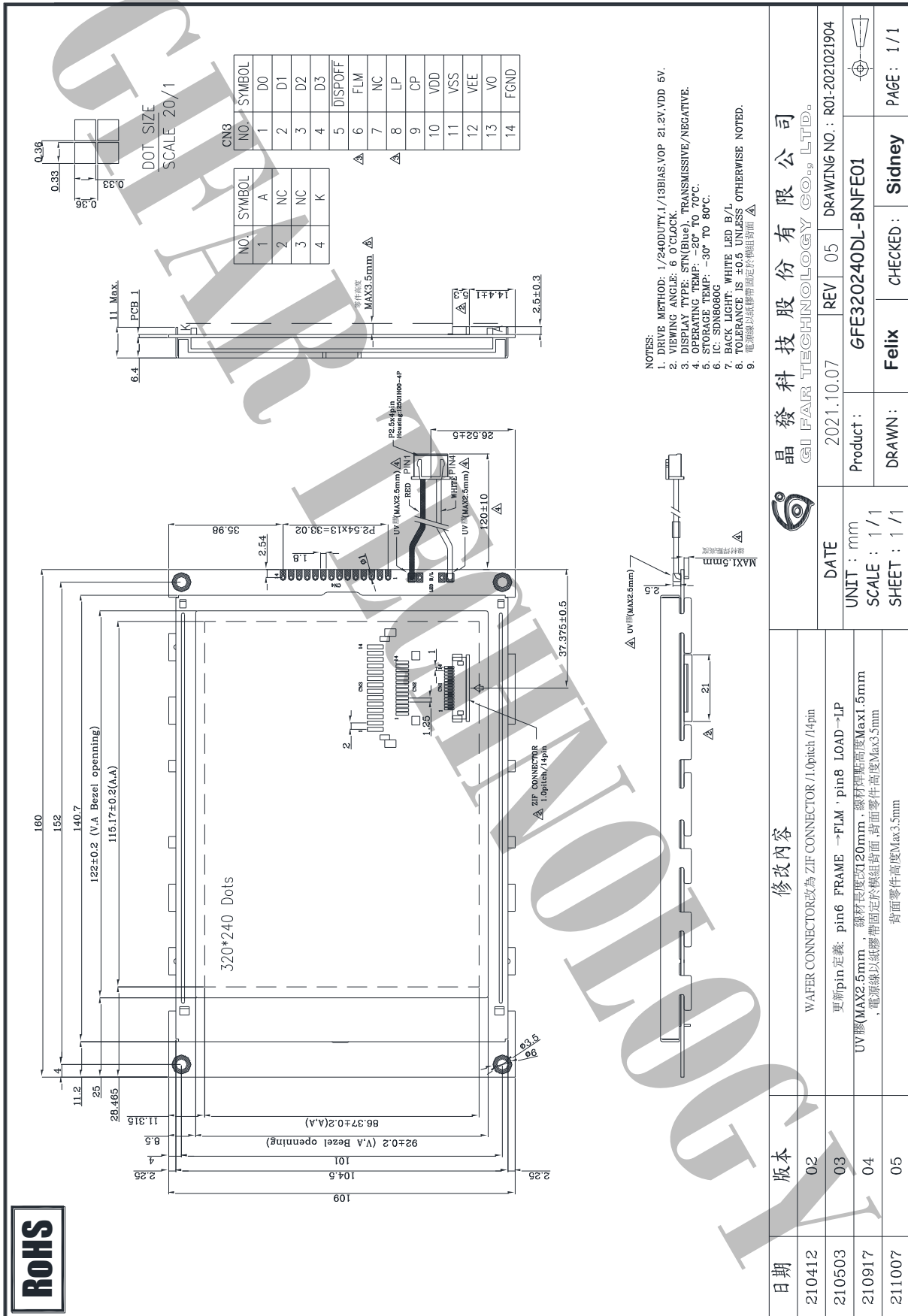
## 7. OPERATION PRECAUTIONS

Any changes that need to be made in this specification or any problems arising from it will be dealt with quickly by discussion between both companies.

Quality warranty period: Within one year after shipment date (excluding abnormal usage way and abnormal environments.)



## 8. Dimensional Outlines







## 9. PACKAGE INFORMATION

1	1 bubble bag	:	1 pcs (modules)
2	1 box	:	20 bubble bag +1 set carboard
3	1 Carton	:	(20 bubble bag + 1 set carboard )x 2 boxes
4	Total pcs	:	1 Carton (1pcs * 20 bubble bag * 2 boxes) = 40 pcs
5	Carton size = NO. 12	:	478*275*377mm
6	Net weight	:	15.3 KG
7	Gross weight	:	19.1 KG

### \*\* Illustration

- 1 bubble bag = 1 pcs (modules)



- 1 box = 20 bubble bag +1 set carboard



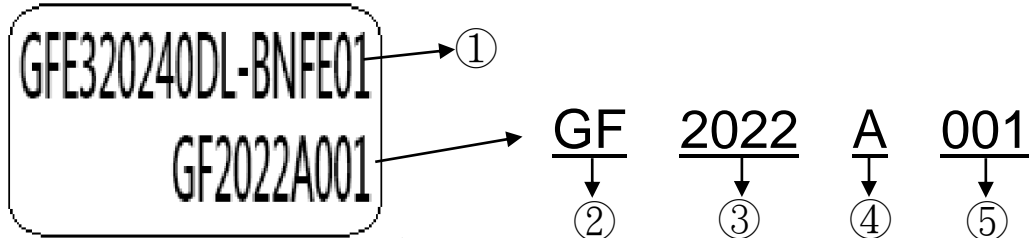
- 1 Carton= 2 boxes (40 bubble bag + 2 set carboard)
- Carton size: 478\*275\*377mm
- Total pcs: 40 PCS Net weight: 15.3 KG Gross weight: 19.1 KG





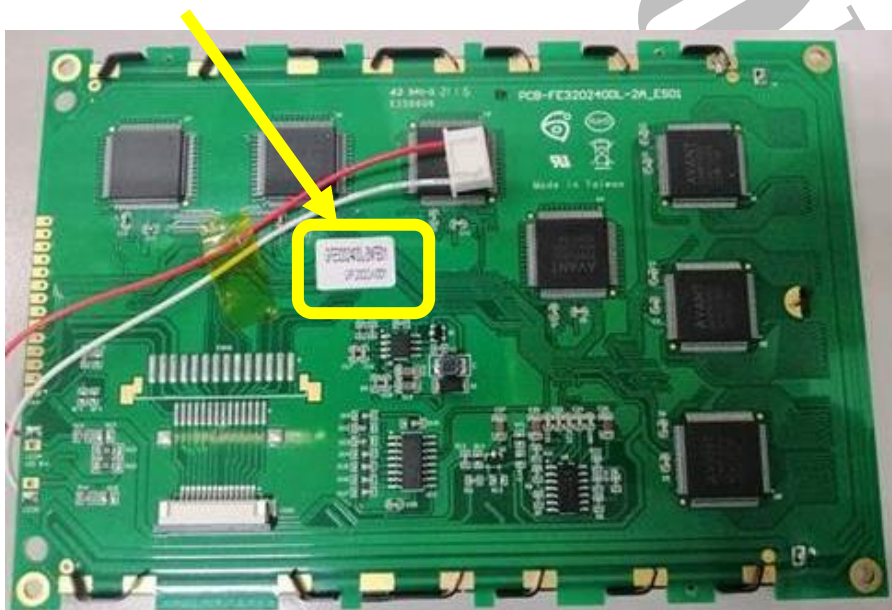
## 10. Lot No. Label

### 10.1. Label description (標籤內容說明):



1.	GFE320240DL-BNFE01	Module No. (模組型號)
2.	GF	GI FAR 晶發 (Abbreviation of company name)
3.	2022	Year · 2022 年
4.	A	A → January B → February · · · K → November L → December
5.	001	Serial number (生產流水號)

### 10.2. Label position (標籤位置):



出貨檢驗標準書  
Shipping inspection standard

核准 Approved by	審核 Checked by	作成 Made by
ANDY	JACKY	RUBY

**1.目的 Purpose :**

規範出貨產品之檢驗項目及判斷標準，確保產品出貨能滿足客戶要求。

Standardize the inspection items and judgment standards to ensure the products that shipped out can meet customer's requirements.

**2.範圍 Area :**

適用於出廠之所有產品。

Applicable to all products shipped from the factory.

**3.名詞解釋 Explanation of terms :**

3-1 主要缺陷：亦會造成功能缺失或嚴重外觀缺陷。

Major Defects: It also causes loss of function or serious appearance defects.

3-2 次要缺陷：稍有缺陷但不影響客戶使用。

Minor defect: Slightly defective but does not affect customer use.

**4.檢驗體制 Inspection system :**

4-1 抽樣計劃：依 ANSI/ASQ Z1.4 一般檢驗水準 II 之 正常檢驗一次抽驗方案。

Sampling plan: According to ANSI/ASQ Z1.4 general inspection level II the normal inspection one-time sampling plan.

4-2 允收水準 Acceptable Level : (AQL)

主要缺陷 Major defect : 0.4 %

次要缺陷 Minor defect : 0.65 %

**5.檢驗條件 Inspection conditions :**

5-1 使用相關之檢測儀器及測試、量測工具。

Use relevant testing instrument, testing and measuring tools .

5-2 環境要求：其條件需控制在常溫下  $23^{\circ}\text{C}\pm 3^{\circ}\text{C}$  及溼度 70%RH 以下。

Environmental requirements: The conditions should be controlled at room temperature  $23^{\circ}\text{C}\pm 3^{\circ}\text{C}$  and humidity below 70%RH.

5-3 外觀檢驗：須在  $380\pm 20\%$  LUX 的白色日光燈下，其目視距離需於產品離  $30\pm 5$  cm 檢驗。

Appearance inspection: Under the white fluorescent lamp of  $380\pm 20\%$  LUX , the visual distance shall be checked above the product  $30 \pm 5$  cm.

5-4 電性測試 Electrical Testing :

5-4-1 有背光之產品需關燈並在  $5\sim 300\text{Lux}\pm 3\%$  下檢驗。

The products with backlight should be tested at  $5\sim 300\pm 3\%$  Lux.

5-4-2 無背光之產品需開燈並在  $60\sim 300\text{Lux}\pm 3\%$  白色日光燈下檢驗。

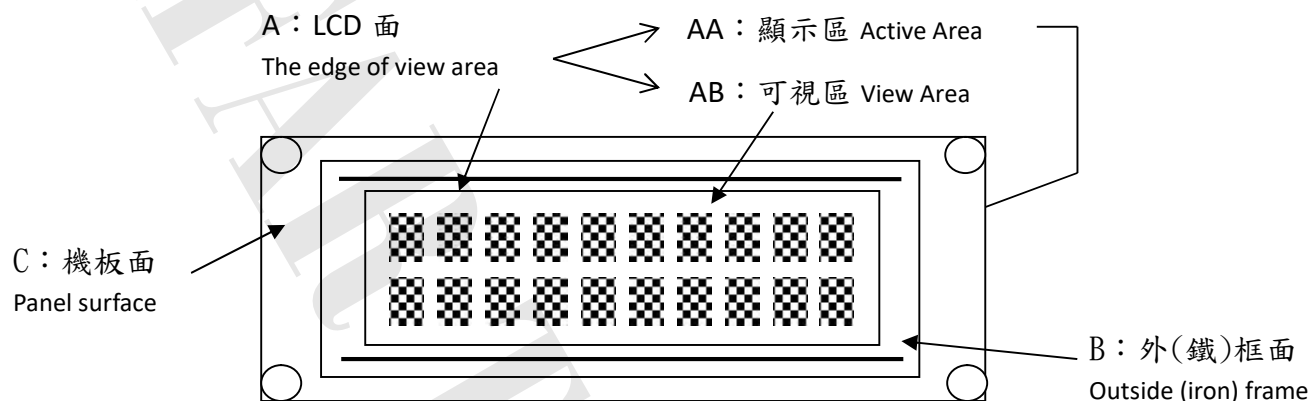
Products without backlight need to be turned on and tested under  $60\sim 300 \pm 3\%$  LUX white fluorescent lamps .

5-5 檢查視角依產品視角方向。

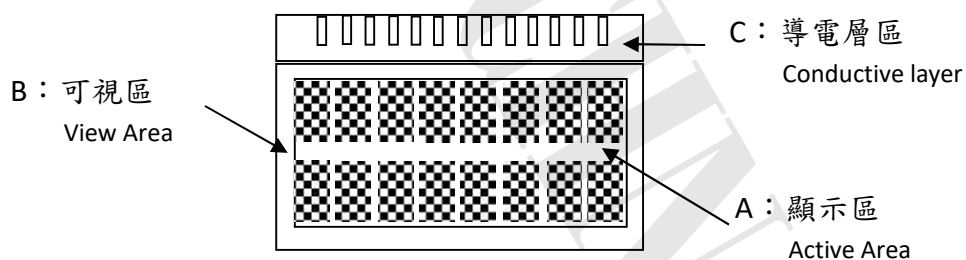
Check the viewing angle according to the product viewing angle.

5-6 其不良現象檢視區域 Bad phenomenon View area

5-6-1 適用種類 Applicable category : COB、TFT

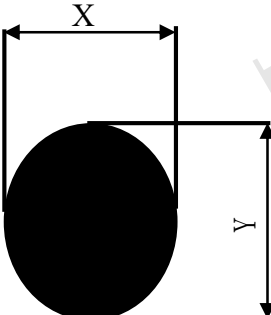
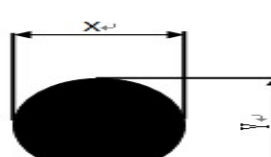
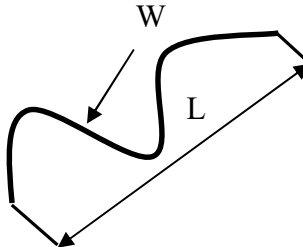


5-6-2 適用種類 Applicable category : COG、TAB、TN



6. 檢驗標準 Inspection standards

COB

種類 Category		COB																			
編號 No.	檢驗項目 Item	檢驗內容及判定標準 Inspection Content & Standard	區域 Zone	類別 Category	缺陷等級 Level																
1	點類(一) Dot (1)	黑點、刺傷...等圓狀 Black dot、Stab...and other round shape  $\varphi = \frac{(X + Y)}{2}$ 	兩點距離須超過 5 mm Two points have to be $\geq 5$ mm  <table border="1"> <thead> <tr> <th><math>\varphi</math> (mm)</th> <th>允收數 Acceptance Qty</th> </tr> </thead> <tbody> <tr> <td><math>\phi \leq 0.1</math></td> <td>無視 Ignore</td> </tr> <tr> <td><math>0.1 &lt; \phi \leq 0.25</math></td> <td>3</td> </tr> <tr> <td><math>0.25 &lt; \phi \leq 0.3</math></td> <td>1</td> </tr> <tr> <td><math>\phi &gt; 0.3</math></td> <td>0</td> </tr> </tbody> </table>	$\varphi$ (mm)	允收數 Acceptance Qty	$\phi \leq 0.1$	無視 Ignore	$0.1 < \phi \leq 0.25$	3	$0.25 < \phi \leq 0.3$	1	$\phi > 0.3$	0	A	外觀 Appearance	次要 Minor AQL0.65%					
		$\varphi$ (mm)	允收數 Acceptance Qty																		
$\phi \leq 0.1$	無視 Ignore																				
$0.1 < \phi \leq 0.25$	3																				
$0.25 < \phi \leq 0.3$	1																				
$\phi > 0.3$	0																				
其點位於側邊 無視 The dot is located on the side(B area)-OK  <table border="1"> <thead> <tr> <th><math>\varphi</math> (mm)</th> <th>允收數 Acceptance Qty</th> </tr> </thead> <tbody> <tr> <td><math>\phi \leq 0.3</math></td> <td>無視 Ignore</td> </tr> <tr> <td><math>0.3 &lt; \phi \leq 0.5</math></td> <td>3</td> </tr> <tr> <td><math>0.5 &lt; \phi \leq 1</math></td> <td>1</td> </tr> <tr> <td><math>\phi &gt; 1</math></td> <td>0</td> </tr> </tbody> </table>	$\varphi$ (mm)	允收數 Acceptance Qty	$\phi \leq 0.3$	無視 Ignore	$0.3 < \phi \leq 0.5$	3	$0.5 < \phi \leq 1$	1	$\phi > 1$	0	B	外觀 Appearance	次要 Minor AQL0.65%								
$\varphi$ (mm)	允收數 Acceptance Qty																				
$\phi \leq 0.3$	無視 Ignore																				
$0.3 < \phi \leq 0.5$	3																				
$0.5 < \phi \leq 1$	1																				
$\phi > 1$	0																				
2	點類(二) Dot (2)	氣泡、凹凸點 Bubble、Uneven dots  $\varphi = \frac{(X + Y)}{2}$ 	兩點距離須超過 5 mm Two points to be $\geq 5$ mm  <table border="1"> <thead> <tr> <th><math>\varphi</math> (mm)</th> <th>允收數 Acceptance Qty</th> </tr> </thead> <tbody> <tr> <td><math>\phi \leq 0.2</math></td> <td>無視 Ignore</td> </tr> <tr> <td><math>0.2 &lt; \phi \leq 0.5</math></td> <td>2</td> </tr> <tr> <td><math>\phi &gt; 0.5</math></td> <td>0</td> </tr> </tbody> </table>	$\varphi$ (mm)	允收數 Acceptance Qty	$\phi \leq 0.2$	無視 Ignore	$0.2 < \phi \leq 0.5$	2	$\phi > 0.5$	0	A	外觀 Appearance	次要 Minor AQL0.65%							
$\varphi$ (mm)	允收數 Acceptance Qty																				
$\phi \leq 0.2$	無視 Ignore																				
$0.2 < \phi \leq 0.5$	2																				
$\phi > 0.5$	0																				
3	線類 Line	刮傷、毛屑...等線狀 Scratch、Fiber.. and other linear shape.  	<table border="1"> <thead> <tr> <th>L (mm)</th> <th>W (mm)</th> <th>允收數 Acceptance Qty</th> </tr> </thead> <tbody> <tr> <td>--</td> <td><math>W \leq 0.02</math></td> <td>無視 Ignore</td> </tr> <tr> <td><math>L \leq 5</math></td> <td><math>W \leq 0.03</math></td> <td>3</td> </tr> <tr> <td><math>L \leq 3</math></td> <td><math>W \leq 0.05</math></td> <td>2</td> </tr> <tr> <td><math>L &gt; 5</math></td> <td><math>W &gt; 0.05</math></td> <td>0</td> </tr> </tbody> </table>	L (mm)	W (mm)	允收數 Acceptance Qty	--	$W \leq 0.02$	無視 Ignore	$L \leq 5$	$W \leq 0.03$	3	$L \leq 3$	$W \leq 0.05$	2	$L > 5$	$W > 0.05$	0	A	外觀 Appearance	次要 Minor AQL0.65%
L (mm)	W (mm)	允收數 Acceptance Qty																			
--	$W \leq 0.02$	無視 Ignore																			
$L \leq 5$	$W \leq 0.03$	3																			
$L \leq 3$	$W \leq 0.05$	2																			
$L > 5$	$W > 0.05$	0																			
4	底色 Background color	同批供貨不能有明顯色差 No obvious color difference allowed in same shipment. (必要時與客端制定限度樣) (According to the gold samples if necessary)	A	外觀 Appearance	次要 Minor AQL0.65%																



5	零件位置 Parts position	與工程 BOM 上標示不符 拒收 Different with the BOM marked Reject	C	外觀 Appearance	主要 Major AQL 0.4%
6	板面潔淨 FPC/PCB's surface is clean	※ 焊接面上附著錫渣、珠 拒收 Solder side has tin slag, beads or particle Reject ※ 焊接面上附著於過多錫油 拒收 Solder side has too much tin oil Reject	C	外觀 Appearance	次要 Minor AQL0.65%
7	點、線類 (三) Dot、Line (3)	※ 於全黑、白畫面下看見之區塊狀或線狀不良 拒收 There is a block or linear in the view area under the screen is whole black or white. Reject ※ 但依 2% ND Filter 遮蓋無視 允收 But after inspecting by 2% ND Filter without seeing block or linear, it is confirmed Acceptance	AA	電訊 Electronics	次要 Minor AQL0.65%
8	點、線類 (四) Dot、Line (4)	畫面中顯示出現黑、白、亮、異色點或線狀 There is a black, white, bright or other dot or lines showing in the view area. ※ 依編號 1、3 之判定標準 According to the inspection standard: No. 1 and 3.	AA	電訊 Electronics	次要 Minor AQL0.65%
9	缺字 Lack of characters	顯示時畫面缺少部份字元 拒收 Lacking part of characters in the view area. Reject	AA	電訊 Electronics	主要 Major AQL 0.4%
10	無動作 No reaction	顯示畫面一直處於起始畫面而無法進行切換 拒收 The display (view area) always shows in the initial screen and can't be switched to others. Reject	AA	電訊 Electronics	主要 Major AQL 0.4%
11	無畫面 No display	通電後，完全無任何畫面顯示 拒收 After connecting to the power, there is no display. Reject	AA	電訊 Electronics	主要 Major AQL 0.4%
12	斷線 Broken line	顯示畫面中少直、橫線 拒收 There is a lack of vertical or horizontal lines in the view area. Reject	AA	電訊 Electronics	主要 Major AQL 0.4%
13	CROSS TALK	顯示畫面時有局部之條紋或拖影 There are some stripes or shadow/smear showing in the view area. 拒收或與客端簽訂限度樣 Reject or inspect according to the golden sample	AA	電訊 Electronics	次要 Minor AQL0.65%

14	I CON	顯示畫面缺少部份顯示圖案 拒收 Lack of partial ICON in the view area. Reject	AA	電訊 Electronics	主要 Major AQL 0.4%
15	深淺不一 Color difference	顯示畫面的對比，比其他顯示深或淺並依電氣規格(VOP) 值判定 The contrast of display is obviously lighter or darker than others and according to the VOP value in the electronics specification. 拒收或與客端簽訂限度樣 Reject or inspect according to the golden sample	AA	電訊 Electronics	次要 Minor AQL0.65%
16	畫面異常 Abnormal screen	通電後畫面出現未定義之電訊不良現象 拒收 After connecting to the power, there is an undefined electronics appearance showing in the view area. Reject	AA	電訊 Electronics	主要 Major AQL 0.4%
17	背光色不均 Uneven color of backlight	※ 點亮後 LED 有明暗不均現象依其均勻度判定 拒收 After lighting LEDs have brightness and darkness uneven the determined according to its uniformity. Reject ※ 點亮後 LED 色澤不一致 拒收 LED color is inconsistent after lighting Reject	A	電訊 Electronics	次要 Minor AQL0.65%
18	亮度不足 Lack of brightness	波長、色座標、輝度與圖面標示定義不符 拒收 Wave length, chromatic coordinates, brightness don't correspond to the definition of the drawing. Reject	A	電訊 Electronics	次要 Minor AQL0.65%
19	尺寸量測 Size Measurement	未依圖面上標示 拒收 No correspond to the indication on the drawing. Reject	ALL	外觀 Appearance	主要 Major AQL 0.4%
20	其他 Other	如發現有上述未定義之不良則與客端簽訂限度樣 If there is another undefined defective situation. It will be listed as others. The inspection standard is according to the golden sample.	ALL	電訊 Electronics 外觀 Appearance	次要 Minor AQL0.65%